



Standard Specifications

RD080N-B

1st ed. 25-Mar-15
2nd ed. 12-Oct-20

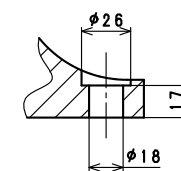
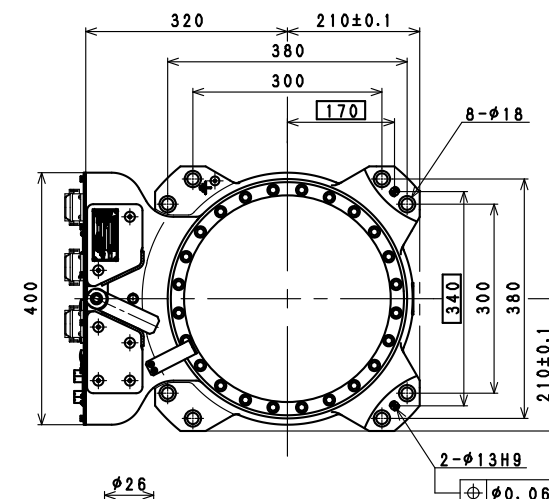
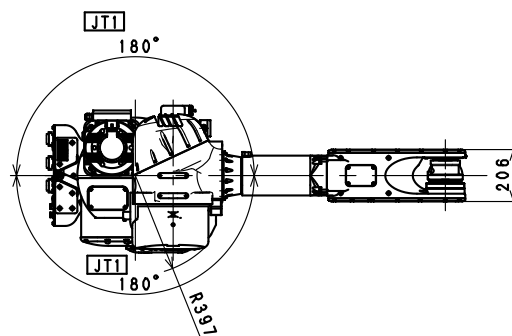
Kawasaki Heavy Industries, Ltd.
Robot Business Division

Specification number : 90151-0078DEB

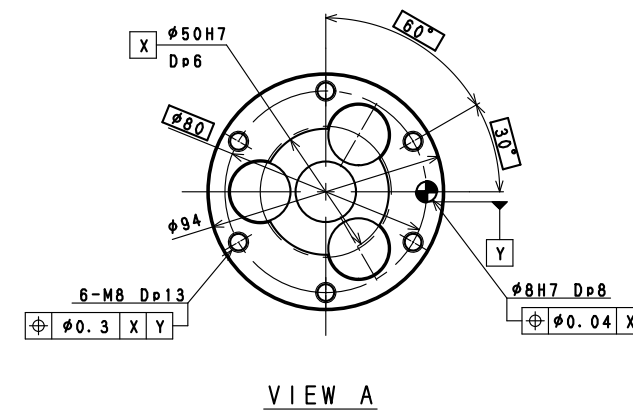
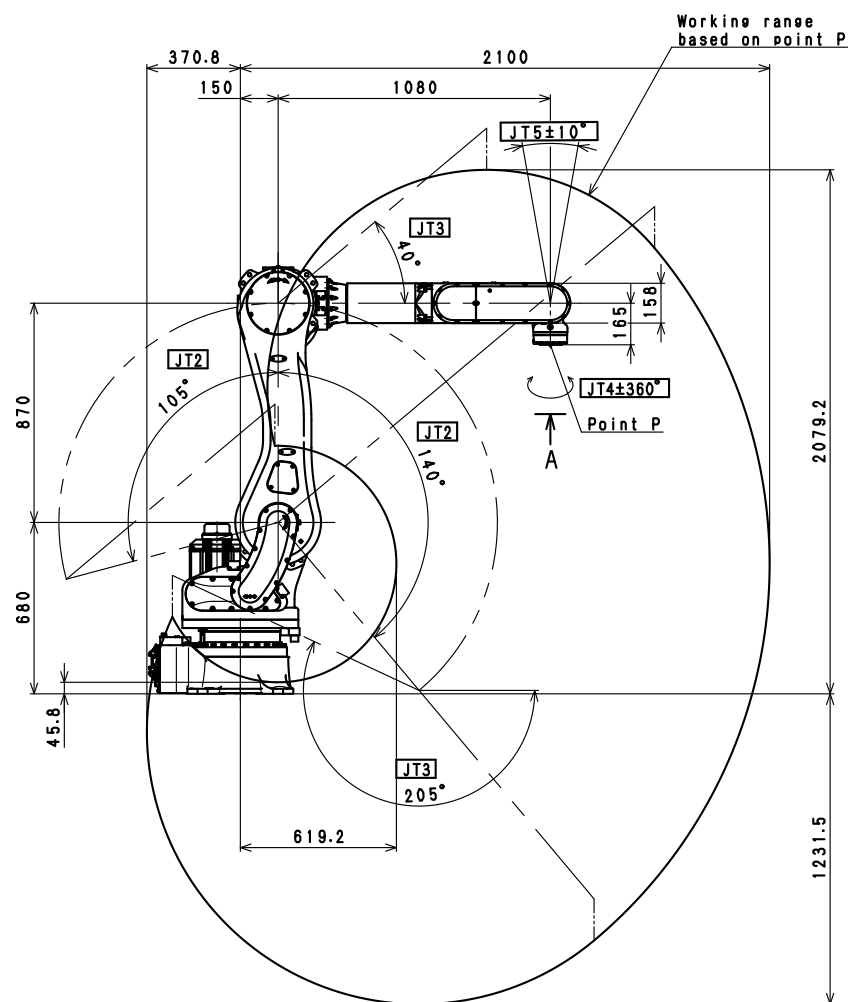
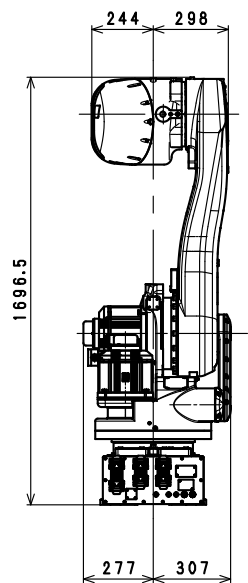
Robot specifications

1. Model	RD080N-B																										
2. Type	Articulated robot																										
3. Degree of freedom	5 axes																										
4. Max. payload	80 kg																										
5. Max. reach	2,100 mm																										
6. Palletizing Capacity	Approx. 900 cycles/h (Load: 80 kg, Vertical: 400 mm & Horizontal: 2000 mm)																										
7. Position repeatability	±0.07 mm (wrist flange surface) conforms to ISO 9283																										
8. Axis specification	<table border="1"> <thead> <tr> <th>Operating axis</th> <th>Motion range</th> <th>Max. speed</th> </tr> </thead> <tbody> <tr> <td>Arm rotation (JT1)</td> <td>±180 °</td> <td>180 °/s</td> </tr> <tr> <td>Arm out-in (JT2)</td> <td>+140 ° - -105 °</td> <td>180 °/s</td> </tr> <tr> <td>Arm up-down (JT3)</td> <td>+40 ° - -205 °</td> <td>175 °/s</td> </tr> <tr> <td>Wrist swivel (JT4)</td> <td>±360 °</td> <td>360 °/s</td> </tr> <tr> <td>Wrist bend (JT5)</td> <td>±10 ° *</td> <td>-</td> </tr> </tbody> </table> <p>* Motion range of JT5 is ±10° to the vertical direction.</p>			Operating axis	Motion range	Max. speed	Arm rotation (JT1)	±180 °	180 °/s	Arm out-in (JT2)	+140 ° - -105 °	180 °/s	Arm up-down (JT3)	+40 ° - -205 °	175 °/s	Wrist swivel (JT4)	±360 °	360 °/s	Wrist bend (JT5)	±10 ° *	-						
Operating axis	Motion range	Max. speed																									
Arm rotation (JT1)	±180 °	180 °/s																									
Arm out-in (JT2)	+140 ° - -105 °	180 °/s																									
Arm up-down (JT3)	+40 ° - -205 °	175 °/s																									
Wrist swivel (JT4)	±360 °	360 °/s																									
Wrist bend (JT5)	±10 ° *	-																									
9. Load capacity of wrist	<table border="1"> <thead> <tr> <th></th> <th>Max. torque</th> <th>Moment of inertia*</th> </tr> </thead> <tbody> <tr> <td>JT4</td> <td>-</td> <td>13.7 kg·m²</td> </tr> </tbody> </table> <p>Note* Restrictions are applied to the center of gravity. See the Installation and Connection Manual. If more detailed data is required for your application, please contact Kawasaki.</p>				Max. torque	Moment of inertia*	JT4	-	13.7 kg·m ²																		
	Max. torque	Moment of inertia*																									
JT4	-	13.7 kg·m ²																									
10. Mass	540 kg (without options)																										
11. Mounting	Floor mounting																										
12. Installation Environment	Ambient Temperature: 0 - 45 °C Relative Humidity: 35 - 85 % (with no dew condensation)																										
13. Color	Munsell 10GY9/1 equivalent																										
14. Degree of protection	Wrist : IP67 equivalent Arm : IP65 equivalent																										
15. Built-in utilities	Pneumatic piping (φ10 × 2 lines)																										
16. Options	<table border="1"> <tbody> <tr> <td>Degree of protection</td> <td>Arm : IP67 equivalent</td> </tr> <tr> <td>Sensor harness</td> <td>12 circuits</td> </tr> <tr> <td>Optional harness</td> <td>7 pairs</td> </tr> <tr> <td>Internal valves</td> <td>Double / Single solenoid valves (4 units max.)</td> </tr> <tr> <td>Air equipment</td> <td>Filter, Regulator, Mist separator</td> </tr> <tr> <td>Mechanical stopper</td> <td>Adjustable stoppers JT1/JT2/JT3</td> </tr> <tr> <td>Color</td> <td></td> </tr> <tr> <td>Installation stand</td> <td>300 mm / 600 mm height</td> </tr> <tr> <td>Base plate</td> <td>750 mm × 750 mm</td> </tr> <tr> <td></td> <td></td> </tr> <tr> <td></td> <td></td> </tr> <tr> <td></td> <td></td> </tr> </tbody> </table>			Degree of protection	Arm : IP67 equivalent	Sensor harness	12 circuits	Optional harness	7 pairs	Internal valves	Double / Single solenoid valves (4 units max.)	Air equipment	Filter, Regulator, Mist separator	Mechanical stopper	Adjustable stoppers JT1/JT2/JT3	Color		Installation stand	300 mm / 600 mm height	Base plate	750 mm × 750 mm						
Degree of protection	Arm : IP67 equivalent																										
Sensor harness	12 circuits																										
Optional harness	7 pairs																										
Internal valves	Double / Single solenoid valves (4 units max.)																										
Air equipment	Filter, Regulator, Mist separator																										
Mechanical stopper	Adjustable stoppers JT1/JT2/JT3																										
Color																											
Installation stand	300 mm / 600 mm height																										
Base plate	750 mm × 750 mm																										

Consult Kawasaki about maintenance parts and spare parts.



Installation Dimensions



RD080N
WORKING RANGE