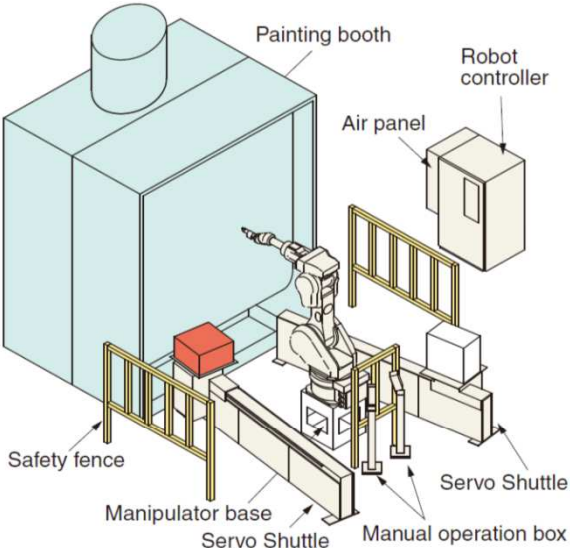
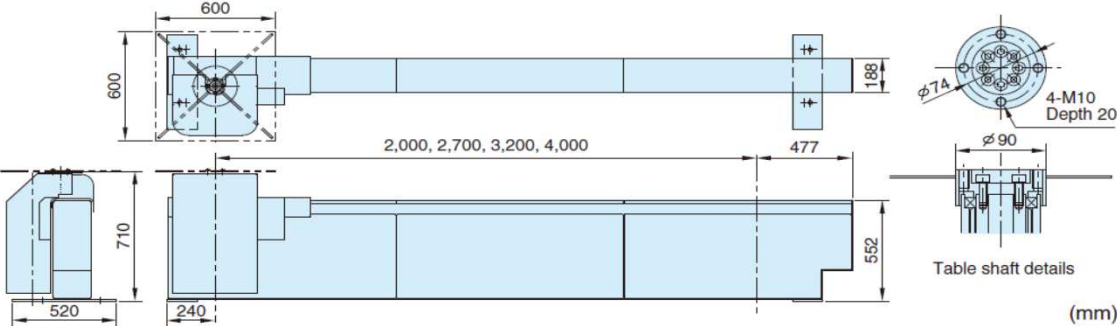


Servo Shuttle



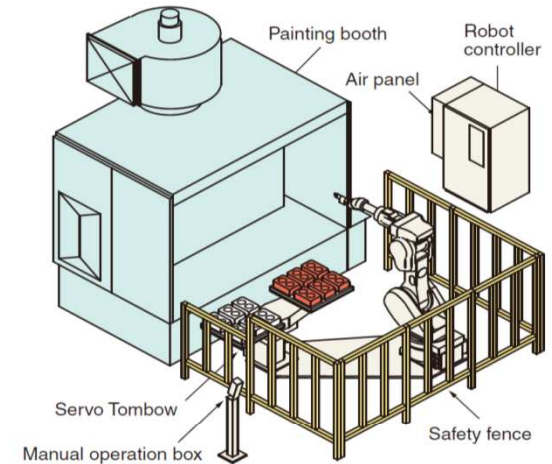
● External View and Dimensions



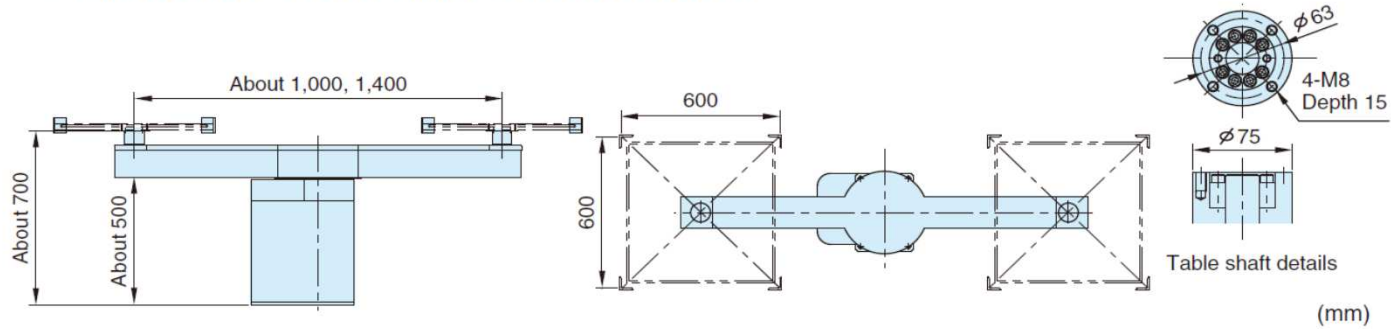
Servo Shuttle (KJ264)

		Standard	Heavy load carrying
Table load		20 kg x 2 Table	60 kg x 2 Table
Shuttle	Stroke	2000mm, 2700mm, 3200mm, 4000mm	←
	Max. Speed	1000 mm/sec	←
Table	Indexing Time	0.8 sec/90°	1.2 sec/90°
	Uninterrupted rotary speed	Max. 90rpm	Max. 45rpm
Mass		One side: 230 kg to 310 kg	One side: 350 kg to 405 kg

Servo Tombow



● External View and Dimensions

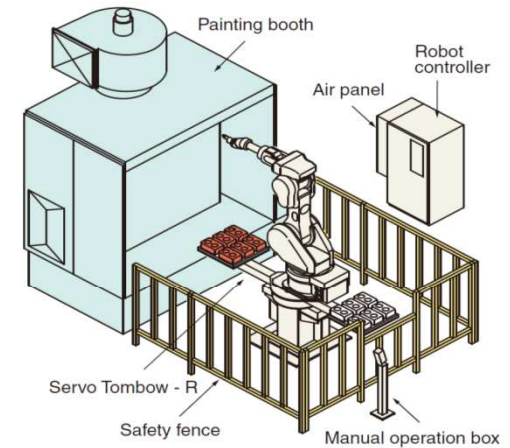
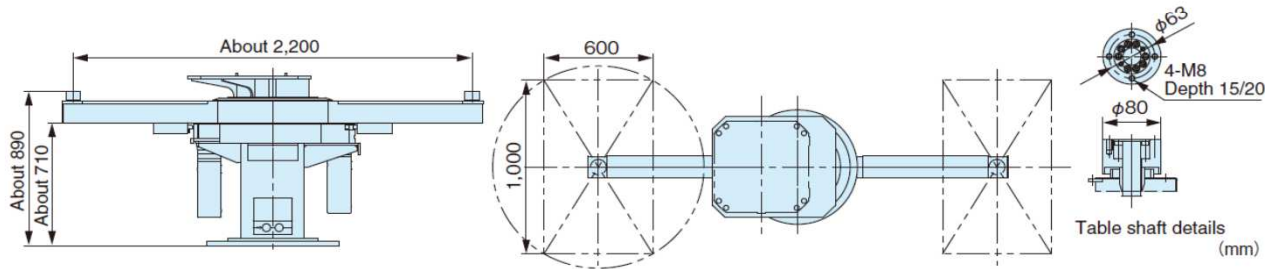


Servo Tombow (KF121/KJ264)

		Standard	Heavy load carrying
Table load		20 kg x 2 Table	40 kg x 2 Table
Arm	Diameter	1000mm, 1200mm, 1400mm, 1600mm, 1800mm	←
	Operation angle	180°	←
	Indexing Time	2.0 sec/180°	←
Table	Indexing Time	0.8 sec/180°	1.2 sec/180°
	Uninterrupted rotary speed	Max. 90rpm	Max. 45rpm
Mass		110 kg (Diameter:1000mm), 150 kg (Diameter:1400mm)	←

Servo Tombow - R

● External View and Dimensions

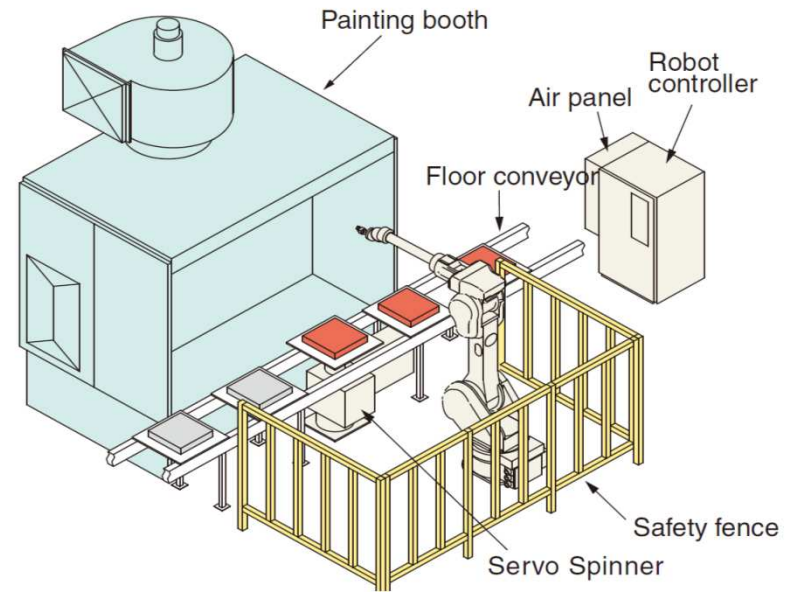
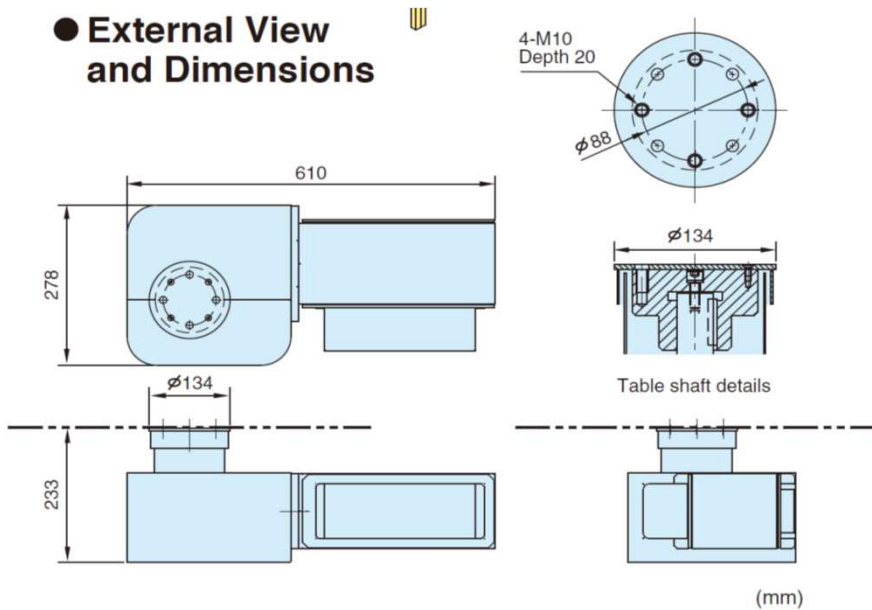


Servo Tombow - R (KF121)

		Standard	Heavy load carrying
Table load		20 kg x 2 Table	40 kg x 2 Table
Arm	Diameter	1800 mm	←
	Operation angle	180°	←
	Indexing Time	4.0 sec/180°	←
Table	Indexing Time	1.0 sec/180°	1.7 sec/180°
	Uninterrupted rotary speed	Max. 90 rpm	Max. 45rpm
Mass		550 kg	←

Servo Spinner

External View and Dimensions

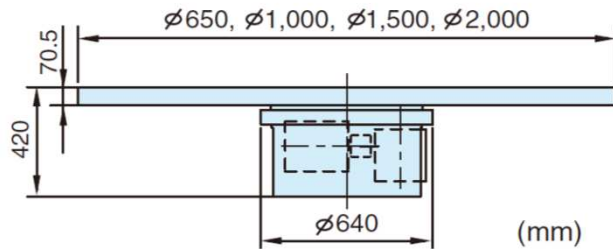


Servo Spinner (KF121/KJ264)

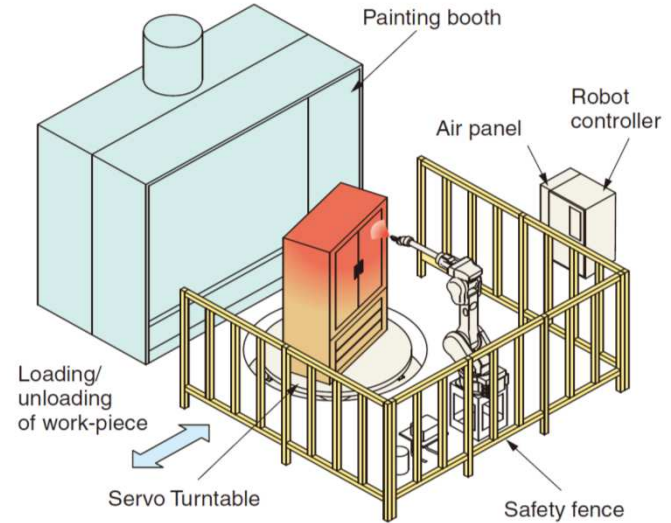
		Standard	Heavy load carrying
Table load		20 kg	60 kg
Table Rotate Inertia Moment		Max. 5.7 kg/m ²	←
Table	Indexing Time	0.8 sec/180°	1.1 sec/180°
	Uninterrupted rotary speed	Max. 90 rpm	Max. 45rpm
Mass		60 kg	←

Servo Turntable

● External View and Dimensions



Complete surface painting is possible with uninterrupted turntable rotation

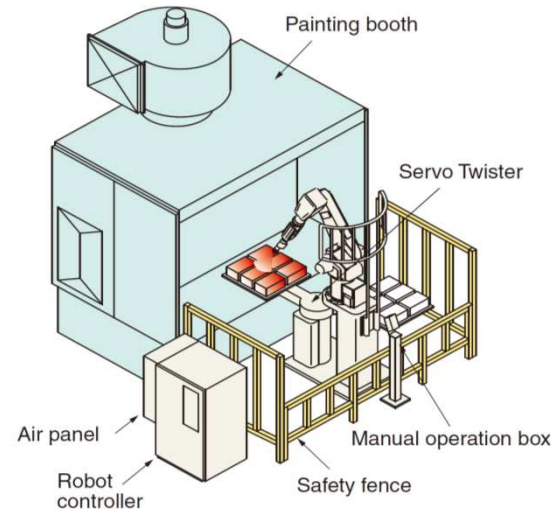
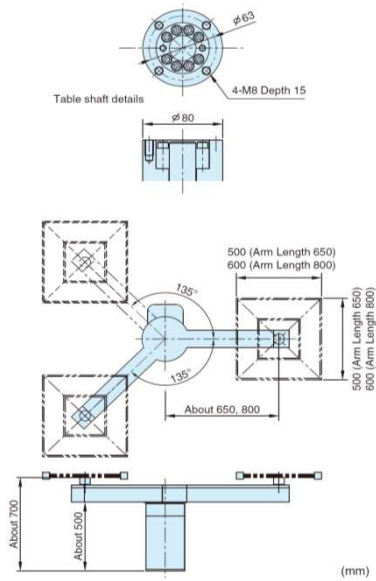


Servo Turntable (KJ264)

		Standard	Heavy load carrying
Table load		Max. 500 kg	Max. 1,000 kg
Table Rotate Inertia Moment		Max. 450 kg/m ²	←
Table	Indexing Time	2.5 sec/180°	5.0 sec/180°
	Uninterrupted rotary speed	Max. 10 rpm	Max. 5 rpm
	Diameter	Φ 650mm, Φ 1000mm, Φ 1500mm, Φ 2000mm	←
	High	450mm	←
Mass		510 kg	560 kg

Servo Twister

● External View and Dimensions



Servo Twister(KF121)

		Standard
Table load		20 kg x 2 Table
Arm	Length	650 mm, 800 mm
	Operation angle	135°
	Indexing Time	1.8 sec/135°
Table	Indexing Time	0.8 sec/180°
	Uninterrupted rotary speed	Max. 90 rpm
Mass		120 kg